

## FEATURES

- Liquid filled for extended service life and shock resistance.
- Ranges available from vacuum to 10,000 psi.
- 2 ½" dial size.
- Bottom or back connection.
- 304 Stainless steel case.
- 316 Stainless steel movement and Bourdon tube.
- High grade glycerine fill dampens the effects of pulsations, vibrations and shock loads.



## APPLICATIONS

- Hydraulic.
- Food and beverage.
- Industrial applications where pulsation, vibration and shock are present.

## OPERATING SPECIFICATIONS

### 1. Working pressure limitations

#### a. Dynamic Pressure:

Working pressure should be limited to 60% of the dial range.

#### b. Static Pressure:

The working pressure, where no sharp fluctuations occur, should be limited to 90% of the dial range.

### 2. Media Temperature

0°F to 140°F (-18°C to 60°C).

### 3. Ambient Temperature

-4°F to 140°F (-20°C to 60°C).

	MODELS	SPECIFICATIONS
<b>Case</b>	All models	304 Stainless steel
<b>Bezel</b>	All models	304 Stainless steel
<b>Lens</b>	All models	Polycarbonate (Safety glass as option)
<b>Bourdon tube</b>	All models	316 stainless steel
<b>Connection</b>	63-550	1/4" NPT 316SS Bottom connection
	63-551	1/4" NPT 316SS Back connection
<b>Movement</b>	All models	316 Stainless steel
<b>Accuracy</b>	All models	± 2.5% Full scale
<b>Pointer</b>	All models	Molded plastic
<b>Dial</b>	All models	ABS White background with black psi scale and red kPa scale, UV Resistant
<b>Liquid fill</b>	All models	Glycerine

### \* SPECIAL REQUEST

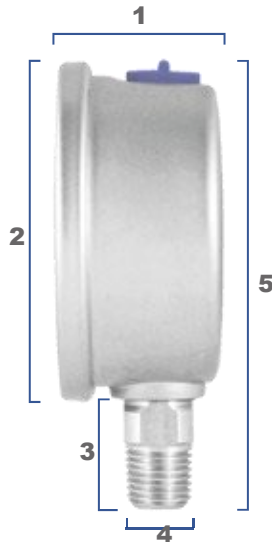
Please contact factory for special dial artwork and ranges.

## ✓ ORDERING INFORMATION

SERIES	<b>550</b>						
SIZE	<b>63</b> 2 1/2"						
CONNECTION TYPE	<b>550</b> Bottom connection	<b>551</b> Back connection					
PRESSURE RANGES	<b>30VAC-300</b> -30 in Hg vacuum to 300 psi	<b>60</b> 0 to 60 psi	<b>400</b> 0 to 400 psi	<b>3000</b> 0 to 3000 psi			
	<b>30VAC-160</b> -30 in Hg vacuum to 160 psi	<b>100</b> 0 to 100 psi	<b>600</b> 0 to 600 psi	<b>5000</b> 0 to 5000 psi			
	<b>30VAC-60</b> -30 in Hg vacuum to 60 psi	<b>160</b> 0 to 160 psi	<b>1000</b> 0 to 1000 psi	<b>10000</b> 0 to 10000 psi			
	<b>30VAC</b> -30 in Hg vacuum to 0	<b>200</b> 0 to 200 psi	<b>1500</b> 0 to 1500 psi				
	<b>30</b> 0 to 30 psi	<b>300</b> 0 to 300 psi	<b>2000</b> 0 to 2000 psi				
SCALE OPTIONS	<b>psi</b> psi - kPa	Other scales available on request					
OPTIONS	<b>SPM</b> 304SS panel mount clamp	<b>MIP</b> Maximum indicating pointer					
	<b>C</b> Safety glass lens	<b>SFF</b> 304SS Front flange					
	<b>SG</b>						
	<b>L</b>						
EXAMPLE	<ul style="list-style-type: none"> <li>Select dial size.....63</li> <li>Select case and connection location.....550</li> <li>Select pressure range and scale option.....100 psi</li> <li>Select any required accessory or option.....MIP</li> </ul> <p><b>63-550-100-MIP</b></p>						

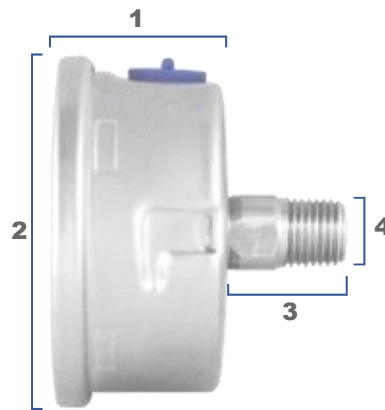
## ✂ OUTLINE DIMENSIONS

**63-550**



<b>1</b>	1.22" (31 mm)
<b>2</b>	2.48" (67 mm)
<b>3</b>	0.86" (22 mm)
<b>4</b>	0.55" (14 mm)
<b>5</b>	3.46" (88 mm)

**63-551**



<b>1</b>	1.22" (31 mm)
<b>2</b>	2.48" (67 mm)
<b>3</b>	0.86" (22 mm)
<b>4</b>	0.55" (14 mm)