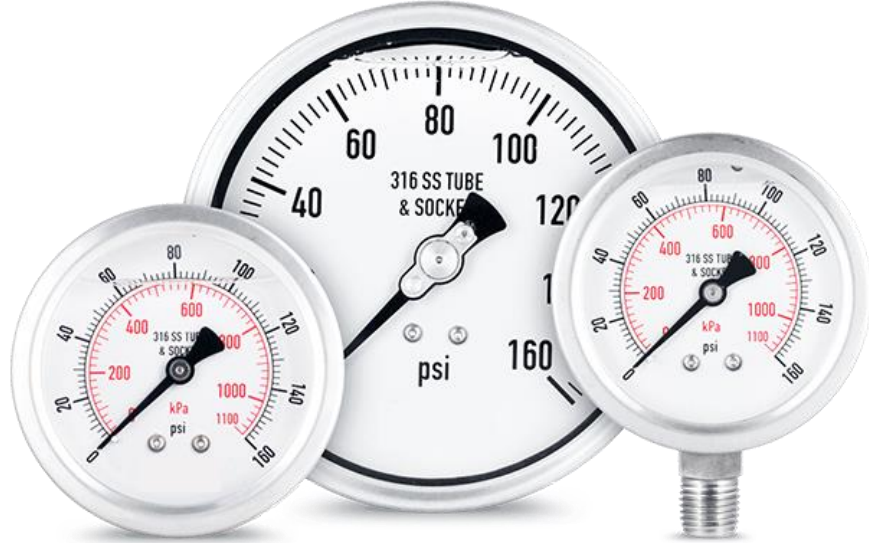


FEATURES

- Liquid filled for extended service life and shock resistance.
- Ranges available from vacuum to 10,000 psi.
- 2 ½ and 4" dial sizes.
- Bottom or back connection.
- 304 Stainless steel case.
- 316 Stainless steel movement and 316 Bourdon tube, made in Germany.
- High grade glycerine fill dampens the effects of pulsations, vibrations and shock loads.



APPLICATIONS

- Hydraulic.
- Food and beverage.
- Industrial applications where pulsation, vibration and shock are present.

OPERATING SPECIFICATIONS

1. Working pressure limitations

a. Dynamic Pressure:

Working pressure should be limited to 60% of the dial range.

b. Static Pressure:

The working pressure, where no sharp fluctuations occur, should be limited to 90% of the dial range.

2. Media Temperature

0°F to 140°F (-18°C to 60°C).

3. Ambient Temperature

-4°F to 140°F (-20°C to 60°C).

	MODELS	SPECIFICATIONS
Case	All models	304 Stainless steel
Bezel	All models	304 Stainless steel
Lens	63-500, 63-510	Polycarbonate (Optional safety glass)
	100-500, 100-510	Tempered glass (Optional safety glass)
Bourdon tube	Models below 1000 psi	316 Stainless steel "C" bourdon tube
	Models 1000 psi and above	Helical tube
Connection	63-500, 63-510	1/4" NPT 304SS connection
	100-500, 100-510	1/2" NPT 304SS connection
Movement	All models	316 Stainless steel, Made in Germany
Accuracy	63-500, 63-510	± 1.6% Full scale
	100-500, 100-510	± 1.0% Full scale
Pointer	63-500, 63-510	Aluminum
	100-500, 100-510	Micro adjustable aluminum
Dial	All models	ABS White background with black psi scale and red kPa scale, UV Resistant
Liquid fill	All models	Glycerine

* SPECIAL REQUEST

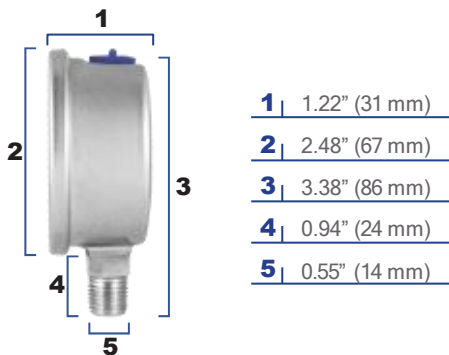
Please contact factory for special dial artwork and ranges.

ORDERING INFORMATION

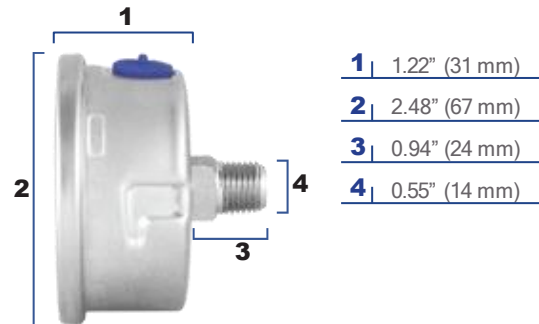
SERIES	500			
SIZE	63 2 1/2"	100 4"		
CONNECTION TYPE	500 Bottom connection	510 Back connection		
PRESSURE RANGES	30VAC-300 -30 in Hg vacuum to 300 psi 30VAC-160 -30 in Hg vacuum to 160 psi 30VAC-60 -30 in Hg vacuum to 60 psi 30VAC -30 in Hg vacuum to 0 30 0 to 30 psi	60 0 to 60 psi 100 0 to 100 psi 160 0 to 160 psi 200 0 to 200 psi 300 0 to 300 psi	400 0 to 400 psi 600 0 to 600 psi 1000 0 to 1000 psi 1500 0 to 1500 psi 2000 0 to 2000 psi	3000 0 to 3000 psi 5000 0 to 5000 psi 10000 0 to 10000 psi
SCALE OPTIONS	psi psi - kPa	Other scales available on request		
OPTIONS	SPMC 304SS panel mount clamp SGL Safety glass lens	MI Maximum indicating pointer P 304SS Front flange SF F		
EXAMPLE	• Select dial size 63 • Select case and connection location 510 • Select pressure range and scale option 100 psi • Select any required accessory or option SGL			63-510-100-SGL

OUTLINE DIMENSIONS

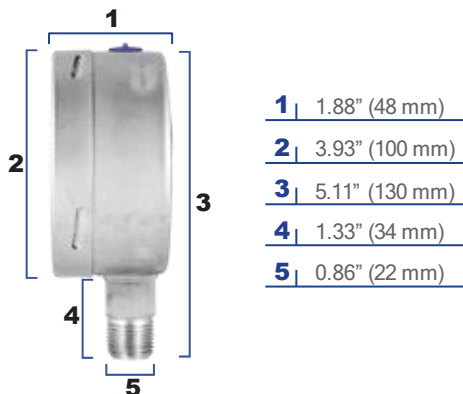
63-500



63-510



100-500



100-510

