

FEATURES

- Premium liquid filled pressure gauge for extended service life and shock resistance.
- Ranges available from vacuum to 10,000 psi.
- 2 ½ and 4" dial size.
- Bottom or back connection.
- 304 Stainless steel case.
- Copper alloy movement and Bourdon tube made in Germany.
- High grade glycerine fill dampens the effects of pulsations, vibration and shock loads.

APPLICATIONS

- Hydraulic.
- Food and beverage.
- Industrial applications where pulsation, vibration and shock are present.

OPERATING SPECIFICATIONS

1. Working pressure limitations

a. Dynamic Pressure:

Working pressure should be limited to 60% of the dial range.

b. Static Pressure:

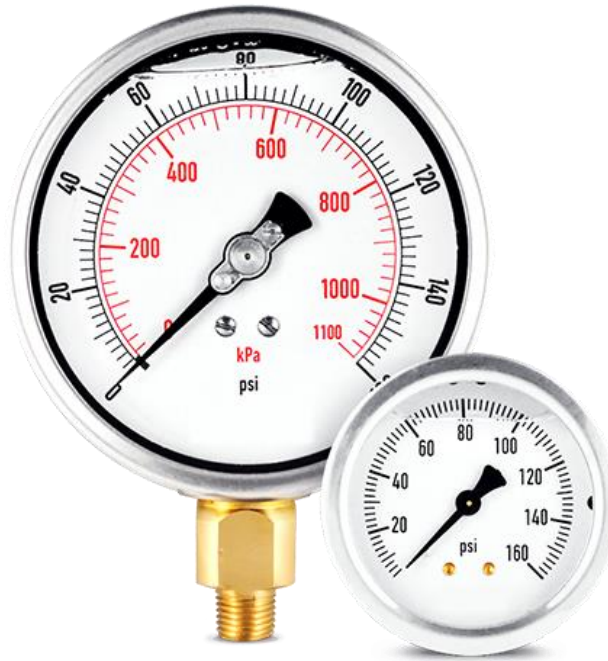
The working pressure, where no sharp fluctuations occur, should be limited to 90% of the dial range.

2. Media Temperature

0°F to 140°F (-18°C to 60°C).

3. Ambient Temperature

-4°F to 140°F (-20°C to 60°C).



	MODELS	SPECIFICATIONS
Case	All models	304 Stainless steel
Bezel	All models	304 Stainless steel
Lens	63-400, 63-410	Polycarbonate (Optional safety glass)
	100-400, 100-410	Tempered glass (Optional safety glass)
Bourdon tube	Models below 1000 psi	Phosphor bronze "C" tube
	Models 1000 psi and above	Helical tube
Connection	63-400, 100-400	1/4" NPT Brass bottom connection
	63-410, 100-410	1/4" NPT Brass back connection
Movement	All models	Brass movement, Made in Germany
Accuracy	63-400, 63-410	± 1.6% Full scale
	100-400, 100-410	± 1.0% Full scale
Pointer	63-400, 63-410	Molded plastic
	100-400, 100-410	Micro adjustable aluminum
Dial	All models	ABS white background with black psi scale and red kPa scale
Liquid fill	All models	Glycerine

* SPECIAL REQUEST

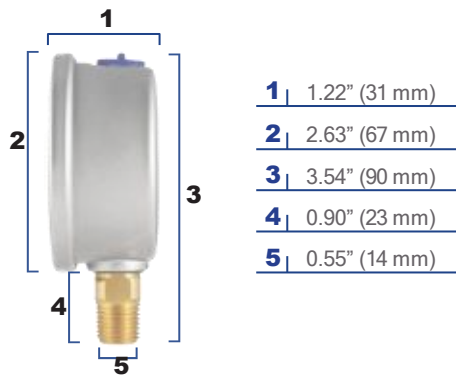
Please contact factory for special dial artwork and ranges.

ORDERING INFORMATION

SERIES	400								
SIZE	63	2 1/2"	100	4"					
CONNECTION TYPE	400	Bottom connection			410	Back connection			
PRESSURE RANGES	30"	VAC	-30 in Hg vacuum to 0	100	0 to 100 psi	400	0 to 400 psi	3000	0 to 3000 psi
	30		0 to 30 psi	160	0 to 160 psi	600	0 to 600 psi	5000	0 to 5000 psi
	60		0 to 60 psi	200	0 to 200 psi	1000	0 to 1000 psi	10000	0 to 10000 psi
				300	0 to 300 psi	2000	0 to 2000 psi		
SCALE OPTIONS	psi	psi - kPa			Other scales available on request				
ACCESSORIES	SPM	304SS panel mount clamp			MI	Maximum indicating pointer			
	C	Steel panel mount clamp			P	304SS Front flange			
	PM	Safety glass lens			SF				
	C				F				
	SGL								
EXAMPLE	<ul style="list-style-type: none"> Select dial size..... 63 Select case and connection location..... 410 Select pressure range and scale option..... 100 psi Select any required accessory or option..... SGL 							63-410-100-SGL	

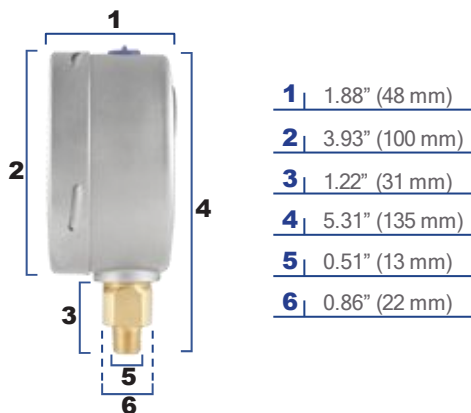
OUTLINE DIMENSIONS

63-400



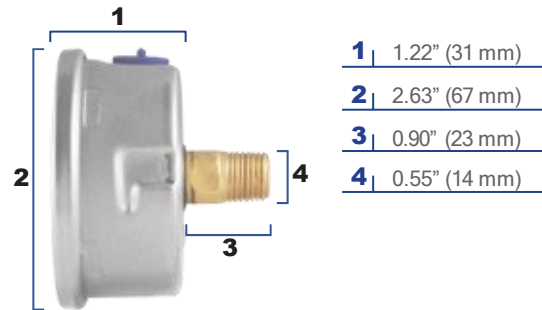
- 1** | 1.22" (31 mm)
- 2** | 2.63" (67 mm)
- 3** | 3.54" (90 mm)
- 4** | 0.90" (23 mm)
- 5** | 0.55" (14 mm)

100-400



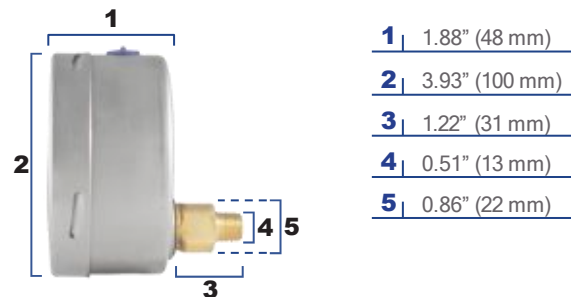
- 1** | 1.88" (48 mm)
- 2** | 3.93" (100 mm)
- 3** | 1.22" (31 mm)
- 4** | 5.31" (135 mm)
- 5** | 0.51" (13 mm)
- 6** | 0.86" (22 mm)

63-410



- 1** | 1.22" (31 mm)
- 2** | 2.63" (67 mm)
- 3** | 0.90" (23 mm)
- 4** | 0.55" (14 mm)

100-410



- 1** | 1.88" (48 mm)
- 2** | 3.93" (100 mm)
- 3** | 1.22" (31 mm)
- 4** | 0.51" (13 mm)
- 5** | 0.86" (22 mm)