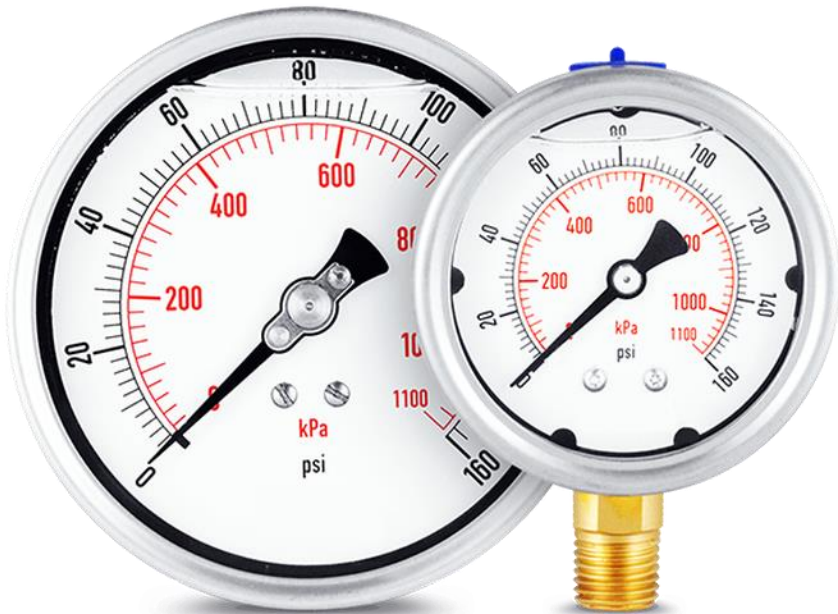


FEATURES

- Liquid filled for extended service life and shock resistance.
- Ranges available from vacuum to 10,000 psi.
- 2 ½ and 4" dial size.
- Bottom or back connection.
- 304 Stainless steel case.
- Copper alloy movement.
- High grade glycerine fill dampens the effects of pulsations, vibrations and shock loads.



APPLICATIONS

- Hydraulic.
- Industrial applications where pulsation, vibration and shock are present.

OPERATING SPECIFICATIONS

1. Working pressure limitations

a. Dynamic Pressure:

Working pressure should be limited to 60% of the dial range.

b. Static Pressure:

The working pressure, where no sharp fluctuations occur, should be limited to 90% of the dial range.

2. Media Temperature

0°F to 140°F (-18°C to 60°C).

3. Ambient Temperature

-4°F to 140°F (-20°C to 60°C).

	MODELS	SPECIFICATIONS
Case	All models	304 Stainless steel
Bezel	All models	304 Stainless steel
Lens	All models	Safety glass
Bourdon tube	Models below 1000 psi	Phosphor bronze "C" tube
	Models 1000 psi and above	Helical tube
Connection	63-300, 100-300	1/4" NPT Brass bottom connection
	63-310, 100-310	1/4" NPT Brass back connection
Movement	All models	Brass
Accuracy	63-300, 63-310	± 2.5% Full scale
	100-300, 100-310	± 2.0% Full scale
Pointer	All models	Aluminum black finish
Dial	All models	Aluminum white background with black psi scale and red kPa scale
Liquid fill	All models	Glycerine

* SPECIAL REQUEST

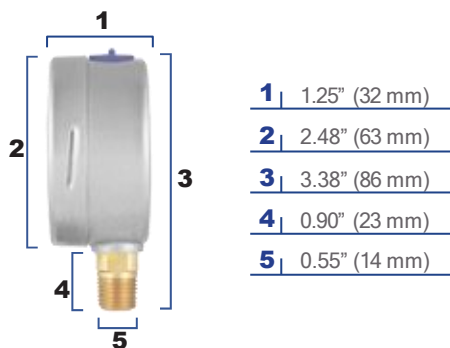
Please contact factory for special dial artwork and ranges.

ORDERING INFORMATION

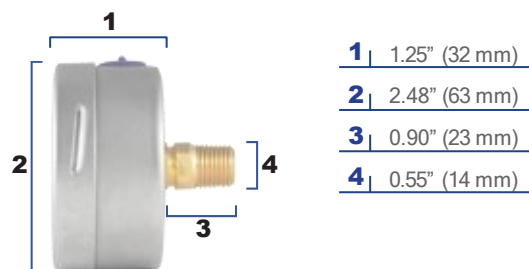
SERIES	300							
SIZE	63	2 1/2"	100	4"				
CONNECTION TYPE	300	Bottom connection			310	Back connection		
PRESSURE RANGES	30" VAC	-30 in Hg vacuum to 0	60	0 to 60 psi	300	0 to 300 psi	2000	0 to 2000 psi
		0 to 15 psi	100	0 to 100 psi	600	0 to 600 psi	3000	0 to 3000 psi
	15	0 to 15 psi	160	0 to 160 psi	1000	0 to 1000 psi	5000	0 to 5000 psi
	30	0 to 30 psi	200	0 to 200 psi	1500	0 to 1500 psi	10000	0 to 10000 psi
SCALE OPTIONS	psi	psi - kPa			Other scales available on request			
OPTIONS	MIP	Maximum indicating pointer						
EXAMPLE	<ul style="list-style-type: none"> Select dial size.....63 Select case and connection location.....300 Select pressure range and scale option.....100 psi Select any required accessory or option.....MIP 							63-300-100-MIP

OUTLINE DIMENSIONS

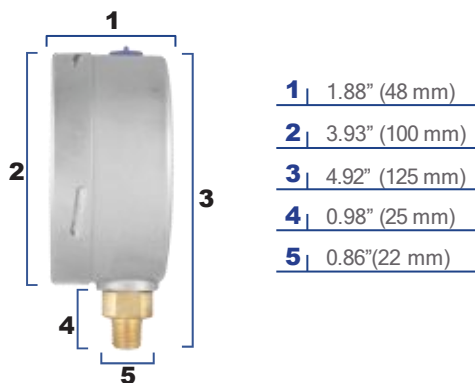
63-300



63-310



100-300



100-310

