

## FEATURES

- Standard dry gauges for service on applications not corrosive to brass.
- Vacuum and compound through 5,000 psi.
- 1 ½, 2, 2 ½, 4, 6, 8 and 10" dial size.
- Bottom or back connection.
- Black painted steel case.
- All brass internals.
- Dual scale in psi - kPa.

## APPLICATIONS

- Hydraulic.
- Pneumatic.
- Industrial and commercial applications.

## OPERATING SPECIFICATIONS

### 1. Working pressure limitations

#### a. Dynamic Pressure:

Working pressure should be limited to 60% of the dial range.

#### b. Static Pressure:

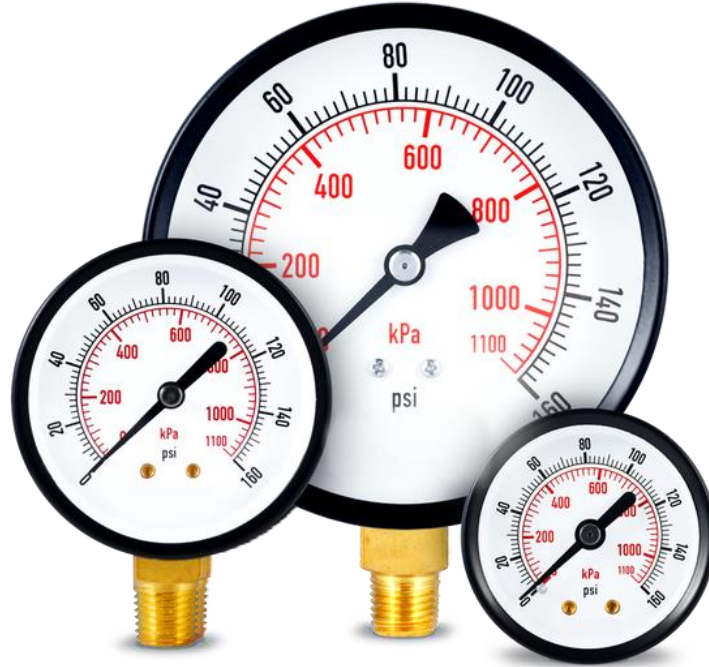
The working pressure, where no sharp fluctuations occur, should be limited to 90% of the dial range.

### 2. Media Temperature

0°F to 140°F (-18°C to 60°C).

### 3. Ambient Temperature

-4°F to 140°F (-20°C to 60°C).



	MODELS	SPECIFICATIONS
<b>Case</b>	All models	Black Painted Steel
<b>Bezel</b>	All models	Black Painted Steel
<b>Lens</b>	All models	Glass
<b>Bourdon Tube</b>	All models	Phosphor bronze "C" tube, low pressures up to 600 psi
	50-100, 63-100	Helical tube, high pressures from 1,000 psi
<b>Connection</b>	40-100	1/8" NPT Brass bottom connection
	40-110	1/8" NPT Brass back connection
	50-100, 63-100, 100-100	1/4" NPT Brass bottom connection
	50-110, 63-110	1/4" NPT Brass back connection
	150-100, 200-100, 250-100	1/2" NPT Brass bottom connection
<b>Movement</b>	All models	Brass
<b>Accuracy</b>	40-100, 40-110, 50-100, 50-110, 63-100, 63-110	± 2.5% Full scale
	100-100, 150-100, 200-100, 250-100	± 2.0% Full scale
<b>Pointer</b>	All models	Aluminum black finish
<b>Dial</b>	All models	Aluminum white background with black psi scale and red kPa scale

### \* SPECIAL REQUEST

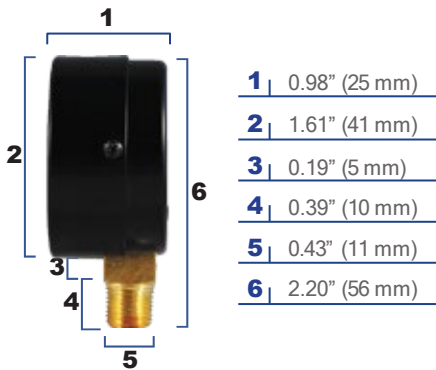
Please contact factory for special dial artwork and ranges.

## ORDERING INFORMATION

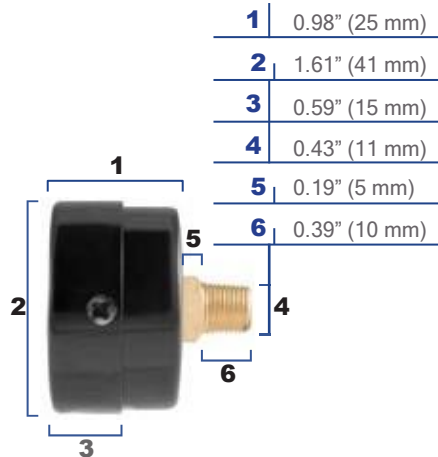
SERIES	<b>100</b>						
SIZE	<b>40</b> (1 ½")	<b>50</b> (2")	<b>63</b> (2 ½")	<b>100</b> (4")	<b>150</b> (6")	<b>200</b> (8")	<b>250</b> (10")
CONNECTION TYPE	<b>100</b> Bottom connection			<b>110</b> Back connection			
PRESSURE RANGES	<b>30" VAC</b>	-30 in Hg vacuum to 0	<b>60</b> 0 to 60 psi	<b>300</b> 0 to 300 psi	<b>1500</b> 0 to 1500 psi		
	<b>15</b>	0 to 15 psi	<b>100</b> 0 to 100 psi	<b>400</b> 0 to 400 psi	<b>2000</b> 0 to 2000 psi		
	<b>30</b>	0 to 30 psi	<b>160</b> 0 to 160 psi	<b>600</b> 0 to 600 psi	<b>3000</b> 0 to 3000 psi		
SCALE OPTIONS	<b>psi</b> psi - kPa			Other scales available on request			
EXAMPLE	<ul style="list-style-type: none"> <li>Select dial size.....50</li> <li>Select connection location.....Bottom</li> <li>Select pressure range and scale option.....100 psi</li> </ul>						<b>50-100-100</b>

## OUTLINE DIMENSIONS

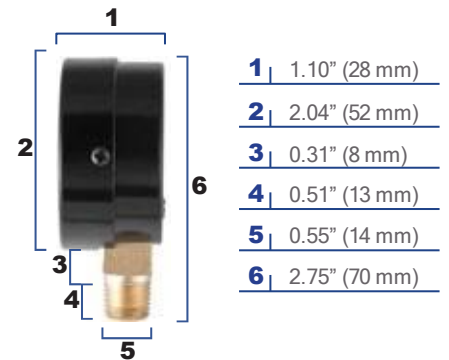
**40-100**



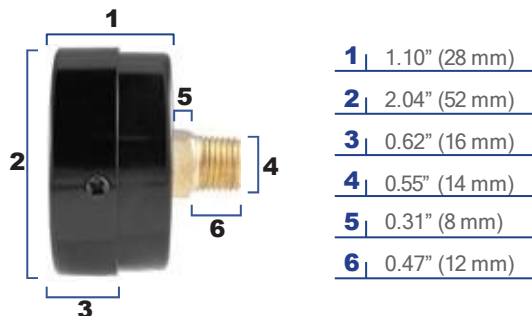
**40-110**



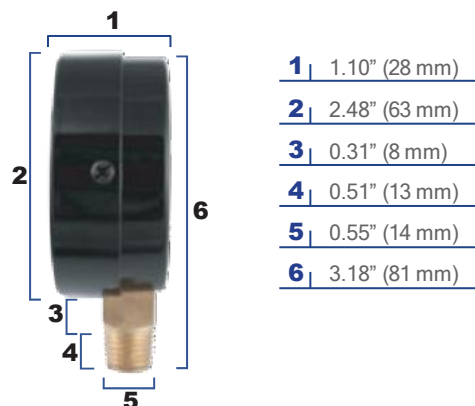
**50-100**



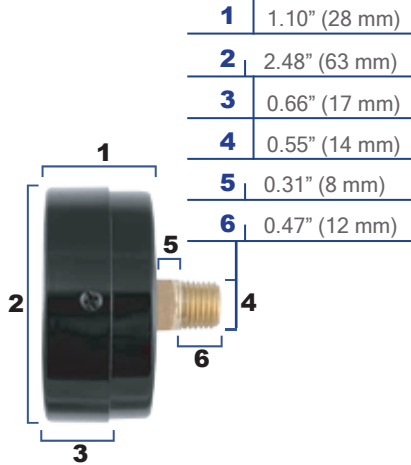
**50-110**



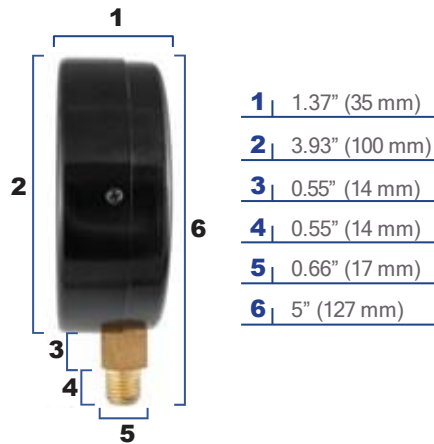
**63-100**



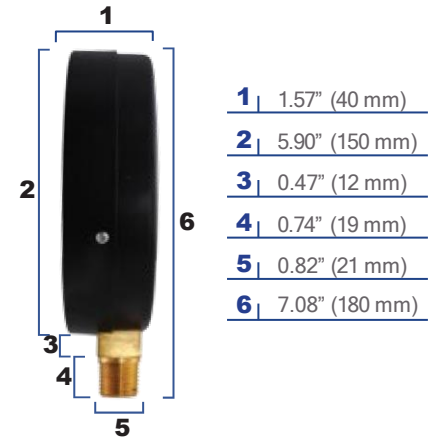
## 63-110



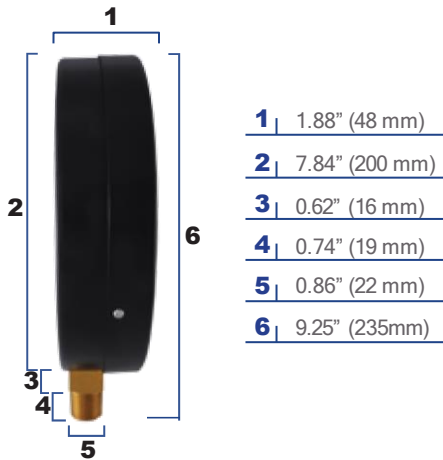
## 100-100



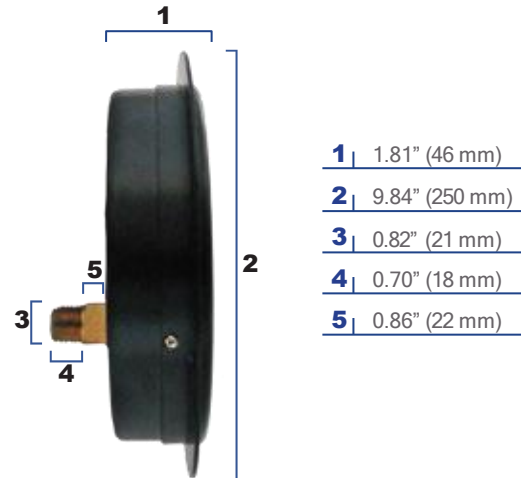
## 150-100



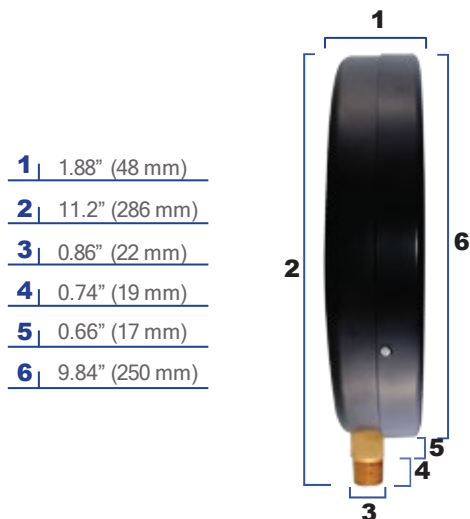
## 200-100



## 200-110



## 250-100



## 250-110

